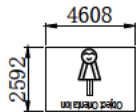
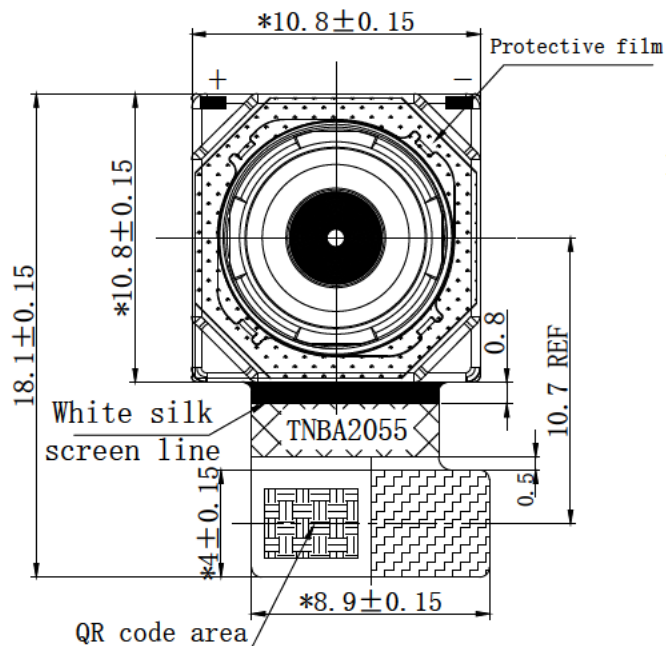


PIN DEFINITION

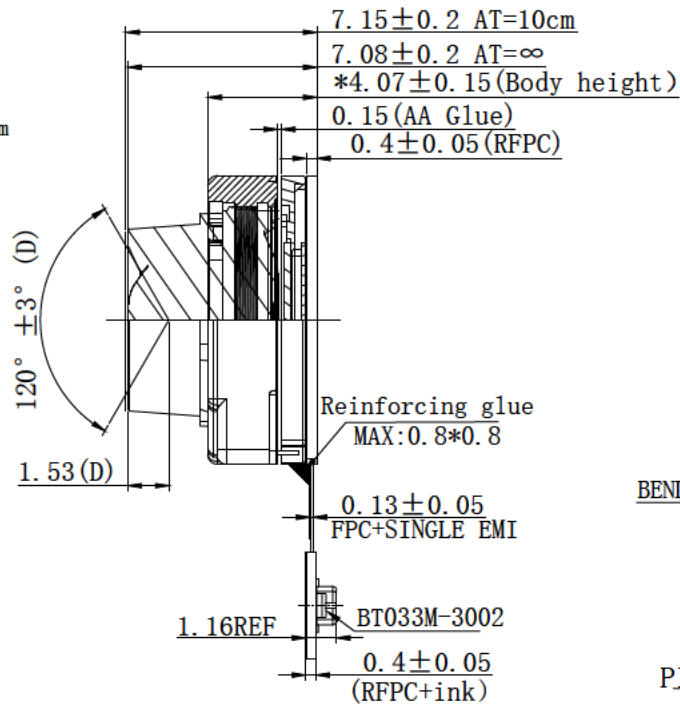
1	AFVDD2.8V
2	AF-GND
3	DOVDD1.8V+AVDD1.8V
4	DVDD1.1V
5	Sensor_PWDN
6	DGND
7	MCLK
8	DGND
9	AGND
10	AVDD2.8V
11	DVDD1.1V
12	DGND
13	MIPI-D3P
14	MIPI-D3N
15	DGND
16	DGND
17	MIPI-D2N
18	MIPI-D2P
19	DGND
20	MIPI-D1N
21	MIPI-D1P
22	DGND
23	MIPI-D0N
24	MIPI-D0P
25	DGND
26	MIPI-CLKN
27	MIPI-CLKP
28	DGND
29	SCL(1.8V)
30	SDA(1.8V)



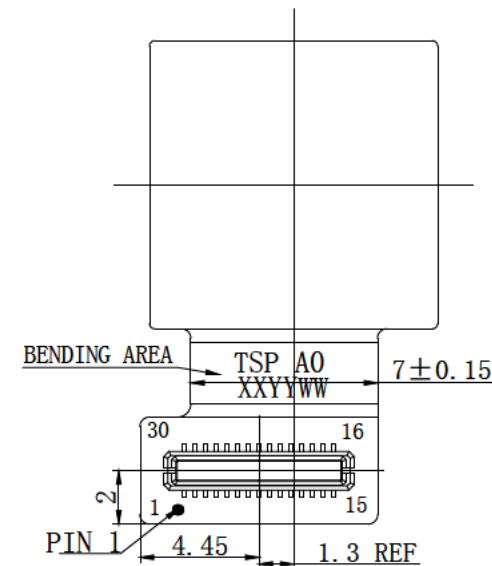
TOP VIEW



SIDE VIEW



BOTTOM VIEW



ROHS / HALOGEN FREE

REV	Date	Changer	DESCRIPTION OF REVISION
0	20220318	ZG	New Release
1			
2			

Module Specification

Item	Value	Item	Value	Item	Value
Lens specifications	1/2.4" 6P	Sensor Type	IMX708-AAJH5-C	VCM Type	Open Loop
EFL	2.75mm	Sensor size	1/2.43	Starting current	/
F.NO	2.2	CRA of sensor	34.9°	Rated current	-60~100mA
FOV	120° ±3°	DVDD	1.1V	Sensitivity	2~6um/mA
CRA of Lens	36°	AVDD	2.8V	Minimum stroke	+260um/-90um
TV-Distortion	<11.6%	DOVDD	1.8V	Postural difference	≤±50um
Maximum image circle	φ7.72mm	Sensor IIC	W:0x34;R:0x35;	Dynamic Tilt	≤8'
Relative illuminance	25.1%	PWDN	Low effective	Hysteresis error	±10um
focus distance	5m	Reset	NA	DRIVER IC address	W:0x18;R:0x19
Focusing Range	10cm~∞	TV-LINE	center: 1900; round: 1200	EEPROM IC address	W:0xA0;R:0xA1

Technical requirements:

1. "*" Marked as the key detection size; CPK≥1.33;
2. MIPI impedance: 100±10Ω;
3. FPC bending area can bend 180 degrees for 20 times without failure (bending radius R=0.8mm);
4. When the module is not working, it is suggested to turn off all the power supply of the module;
6. Environmental protection meets the REQUIREMENTS of EU RoHS, REACH, HF and other regulations;
7. DRIVER IC :DW9800W;
8. EEPROM:BL24SA64D-CS;

ANGLES	LINEAR	A	B	C
	0<L<3	±0.00	±0.05	±0.10
	3<L<6	±0.05	±0.10	±0.20
±0.5°	6<L<15	±0.05	±0.15	±0.30
	15<L<30	±0.10	±0.20	±0.50
	30<L<150	±0.10	±0.20	±0.80

Scale:	1:1
Unit:	mm
Ver:	A0
Page:	1/1

天实精工 重庆市天实精工科技有限公司
TSP Chongqing TS-Precision Technology co.,LTD.

Project Name : /		
Drawing No. : TNBA2055	P1.0	
DWN BY :	CHK BY :	APP BY :
ZG	WJC	