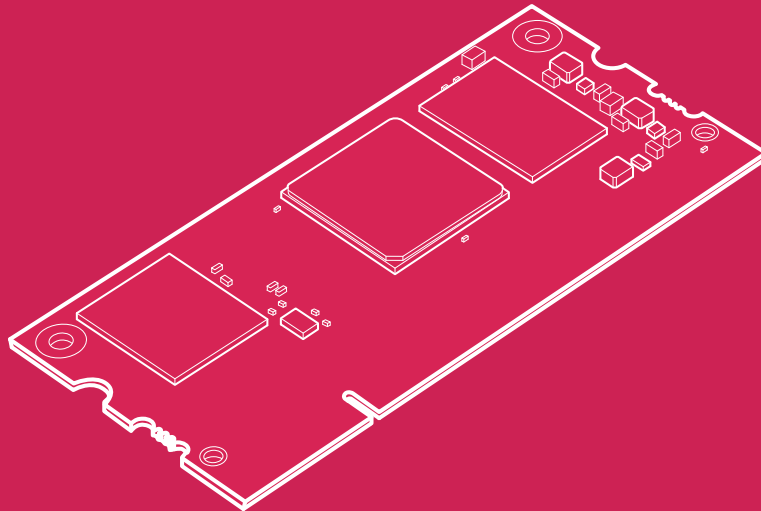




# Raspberry Pi Compute Module 4S

Published July 2026



The terms HDMI, HDMI High-Definition Multimedia Interface, and the HDMI Logo are trademarks or registered trademarks of HDMI Licensing Administrator, Inc.

## Overview



Raspberry Pi Compute Module 4 SODIMM (CM4S) is a System on Module (SoM) containing processor, memory, eMMC flash, and supporting power circuitry. These modules allow a designer to leverage the Raspberry Pi hardware and software stack in their own custom systems and form factors. The SODIMM form factor Compute Modules have 18 additional GPIO pins compared to the standard Raspberry Pi boards, for a total of 46, opening up more options for designers.

CM4S is loosely based on Raspberry Pi 4 Model B, and for cost-sensitive applications it can be supplied without the eMMC fitted; this version is called Raspberry Pi Compute Module 4 SODIMM Lite (CM4SLite).

CM4S is in the same form factor as the older Raspberry Pi Compute Module 3 and 3+, which are mechanically compatible with DDR2-SODIMM.

This device is intended for industrial customers migrating from Compute Module 3 or 3+, who wish to continue to use the SODIMM form factor or to take advantage of the increased SDRAM capacity.

## Specification

**Form factor** 67.6mm × 31.0mm  
(compatible with JEDEC MO-224 mechanical specification for 200-pin DDR2)

**Note**

The pinout of Compute Module 4S is not the same as that of a DDR2 SODIMM module; they are not electrically compatible.

**Processor** Broadcom BCM2711 quad-core 64-bit Cortex-A72 (Arm v8) at 1.5GHz

**Memory** Options for 1GB, 2GB, 4GB, or 8GB LPDDR4-3200 SDRAM with ECC  
Options for 0GB, 8GB, 16GB, 32GB, or 64GB eMMC flash

**Connectivity** 1 × USB 2.0 port (high speed)  
46 × GPIO signals  
1 × SDIO 2.0 (CM4SLite only)

**Video** 1 × HDMI<sup>®</sup> 2.0 port (up to 4Kp60 supported)  
1 × 2-lane MIPI DSI display interface  
1 × 4-lane MIPI DSI display interface  
1 × 2-lane MIPI CSI camera interface  
1 × 4-lane MIPI CSI camera interface  
1 × composite TV out (PAL or NTSC)

**Multimedia** H.265 (HEVC) (up to 4Kp60 decode), H.264 (up to 1080p60 decode, 1080p30 encode)  
OpenGL ES 3.0 graphics

**Input voltage** Requires VBAT (2.5V to 5V) and +3.3V supplies.  
Older Compute Modules also required +1.8V: +1.8V is no longer used but can be supplied for backward compatibility.

**Production lifetime** Raspberry Pi Compute Module 4S will remain in production until at least January 2034

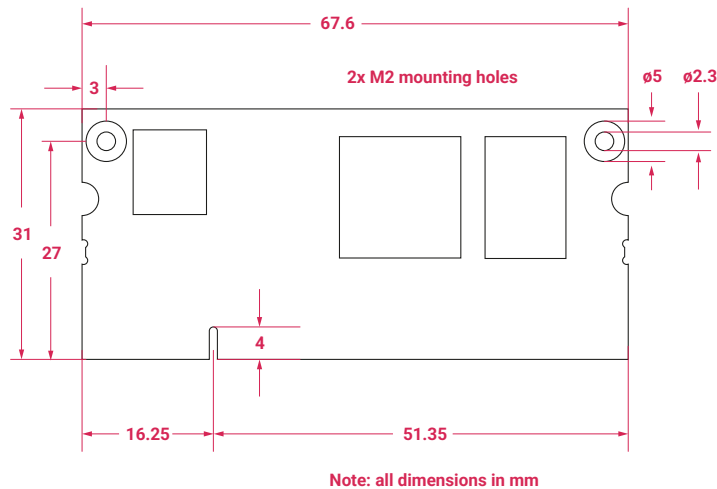
**List price** See table below

## Pricing

Part Number	Wireless	RAM	eMMC	Price*
CM4S01000	No	1GB	0GB (Lite)	\$36.25
CM4S01008			8GB	\$61.25
CM4S01016			16GB	\$61.25
CM4S01032			32GB	\$71.25
CM4S01064			64GB	\$71.25
CM4S02000		2GB	0GB (Lite)	\$52.50
CM4S02008			8GB	\$77.50
CM4S02016			16GB	\$77.50
CM4S02032			32GB	\$87.50
CM4S02064			64GB	\$87.50
CM4S04000		4GB	0GB (Lite)	\$85
CM4S04008			8GB	\$110
CM4S04016			16GB	\$110
CM4S04032			32GB	\$120
CM4S04064			64GB	\$120
CM4S08000		8GB	0GB (Lite)	\$150
CM4S08008			8GB	\$175
CM4S08016			16GB	\$175
CM4S08032			32GB	\$185
CM4S08064			64GB	\$185

\* pricing excludes sales tax and any applicable import duties

## Mechanical specification

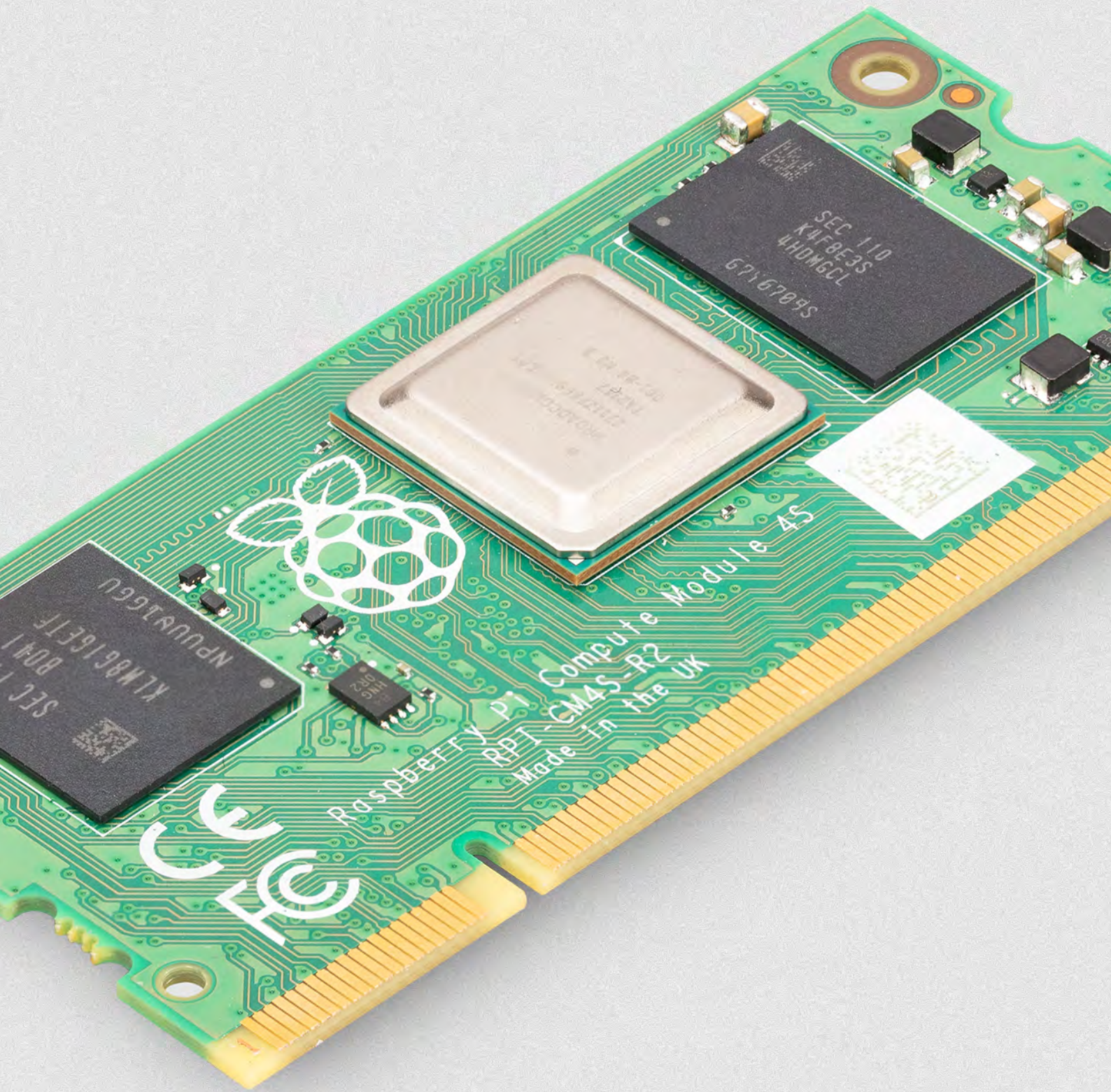


### WARNINGS

- Any external power supply used with Raspberry Pi Compute Module 4S shall comply with relevant regulations and standards applicable in the country of intended use.
- This product should be operated in a well-ventilated environment, and if used inside a case, the case should not be covered.
- Whilst in use, this product should be placed on a stable, flat, non-conductive surface, and should not be contacted by conductive items.
- The connection of incompatible devices to Compute Module 4S may affect compliance, result in damage to the unit, and invalidate the warranty.
- All peripherals used with this product should comply with relevant standards for the country of use and be marked accordingly to ensure that safety and performance requirements are met. These articles include but are not limited to keyboards, monitors, and mice when used in conjunction with the Compute Module.
- The cables and connectors of all peripherals used with this product must have adequate insulation so that relevant safety requirements are met.

### To avoid malfunction or damage to this product, please observe the following:

- Do not expose to water or moisture, or place on a conductive surface whilst in operation.
- Do not expose to heat from any source; Raspberry Pi Compute Module 4S is designed for reliable operation at normal ambient temperatures.
- Take care whilst handling to avoid mechanical or electrical damage to the printed circuit board and connectors.
- Whilst it is powered, avoid handling the printed circuit board, or only handle it by the edges to minimise the risk of electrostatic discharge damage.





**Raspberry Pi**

Raspberry Pi is a trademark of Raspberry Pi Ltd